

BM24R

- Stainless steel IP68 low profile load cell
- Hermetically sealed
- Suitable for hopper, platform and pallet scales
- Integrated static overload protection up to 13t



BM24R
60kg – 280kg

BM24R
250kg – 13t

BM24R
28t – 60t



OIML test certificate no. TC7865 Revision 1
C of C no R60/2000-NL1-11.21

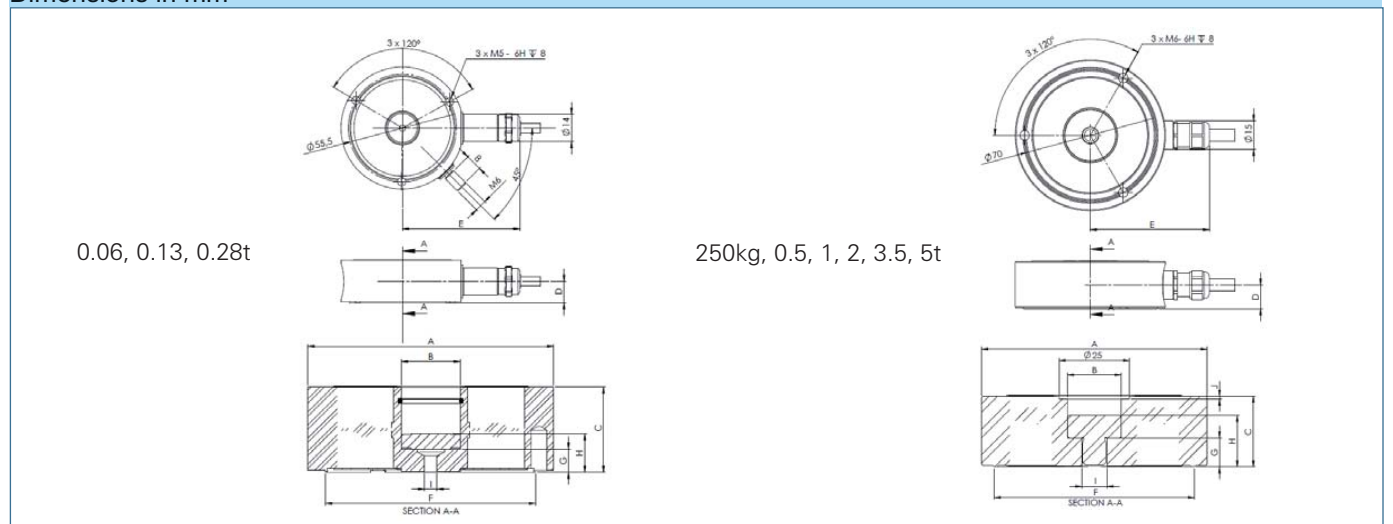
CEP Certificate no. 11-103A1

| Available models | | |
|------------------|----------|----------------------------|
| Capacity | Accuracy | Full article description |
| 60 kg | C3/C4/C5 | BM24R -60kg -C3/C4/C5 -3B |
| 130 kg | C3/C4/C5 | BM24R -130kg -C3/C4/C5 -3B |
| 280 kg | C3/C4/C5 | BM24R -280kg -C3/C4/C5 -3B |
| 250 kg | C3/C4/C5 | BM24R -250kg -C3/C4/C5 -3B |
| 500 kg | C3/C4/C5 | BM24R -500kg -C3/C4/C5 -3B |
| 1 t | C3/C4/C5 | BM24R -1t -C3/C4/C5 -3B |
| 2 t | C3/C4/C5 | BM24R -2t -C3/C4/C5 -6B |
| 3.5 t | C3/C4/C5 | BM24R -3.5t -C3/C4/C5 -6B |
| 5 t | C3/C4/C5 | BM24R -5t -C3/C4/C5 -6B |
| 10 t | C3/C4/C5 | BM24R -10t -C3/C4/C5 -15B |
| 13 t | C3/C4/C5 | BM24R -13t -C3/C4/C5 -15B |
| 28 t | C3/C4/C5 | BM24R -28t -C3/C4/C5 -15B |
| 60 t | C3/C4/C5 | BM24R -60t -C3/C4/C5 -15B |

Specification

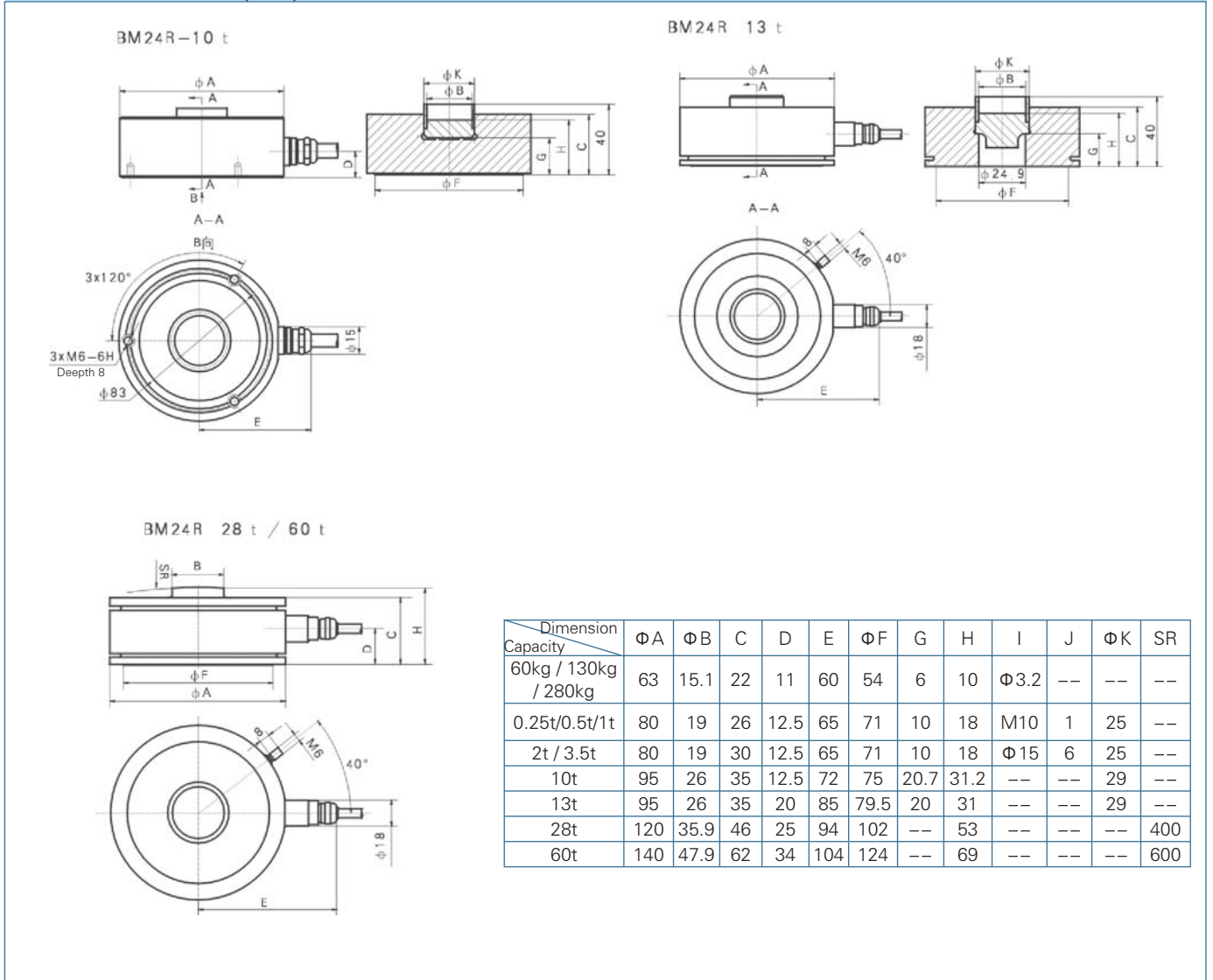
| Accuracy class | | OIML R60 C3 / OIML R60 C4 / OIML R60 C5 | | | | | | |
|--|---------------------|---|------------|-----------------------|------------|------------|------------|--|
| | | | | | | | | |
| Output sensitivity (= FS) | mV/V | 1 ± 0.01 | 1.75 ± 0.1 | 2.0 ± 0.1 | 2.0 ± 0.1 | 2.0 ± 0.1 | 2.0 ± 0.1 | |
| Maximum capacity (E _{max}) | t | 0.06, 0.13, 0.28 | 0.25 | 0.5, 1, 2, 3.5, 5, 10 | 13 | 28 | 60 | |
| Maximum number of load cell intervals (nLC) | | C3 = 3000, C4 = 4000, C5 = 5000 | | | | | | |
| Ratio of minimum LC verification interval Y = E _{max} / V _{min} | | C3 = 10.000, C4 and C5 = 16.000 | | | | | | |
| Combined error | %FS | C3 = ± 0.0230, C4 = ± 0.0174, C5 = ± 0.0140 | | | | | | |
| Minimum dead load | of E _{max} | 0 | | | | | | |
| Safe overload | of E _{max} | 150 % | | | | | | |
| Safe sideload | of E _{max} | 75% | | | | | | |
| Zero balance | %FS | ± 1.0 | | | | | | |
| Excitation, recommended voltage | V | 10 ~ 15(DC) | | | | | | |
| Excitation maximum | V | 30(DC) | | | | | | |
| Input resistance | Ω | 1260 ± 100 | 1100 ± 100 | 1100 ± 100 | 1200 ± 100 | 1075 ± 100 | 1350 ± 200 | |
| Output resistance | Ω | 1020 ± 0.5 | 1025 ± 25 | 1025 ± 25 | 1000 ± 0.5 | 930 ± 0.5 | 1175 ± 0.5 | |
| Insulation resistance | MΩ | ≥ 5000 (50VDC) | | | | | | |
| Compensated temperature | °C | -10 ~ +40 | | | | | | |
| Operating temperature | °C | -35 ~ +65 | | | | | | |
| Temperature range, storage | °C | -40 ~ +70 | | | | | | |
| Element material | | Stainless steel | | | | | | |
| Ingress protection (according to EN 60529) | | IP68 | | | | | | |
| Recommended torque on fixation | N.m | M5: 3.5 M6:10 | | | | | | |

Dimensions in mm

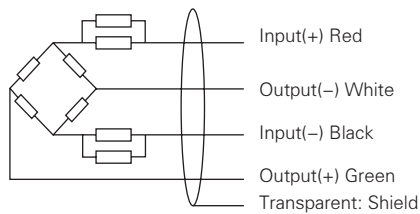


BM24R

Outline Dimension mm(inch)



Wiring



Adopt shielded, 4 conductor cable: $\Phi 6.2 \pm 0.1\text{mm}$

| Capacity | Standard cable length (m) |
|----------|-----------------------------|
| 60Kg | 3 |
| 130Kg | |
| 250Kg | |
| 280Kg | |
| 500Kg | |
| 1t | 6 |
| 2t | |
| 3.5t | |
| 5t | |
| 10t | 15 |
| 13t | |
| 28t | |
| 60t | |