

H2D



- Alloy steel IP67 compression load cell
- Nickel plated
- Suitable for hopper and platform scales and other electronic devices
- Low profile

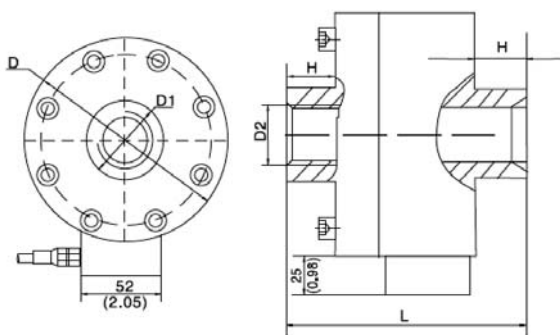
Available models

Capacity	Accuracy	Full article description
5 t	C2	H2D-C2-5t-5J
10 t	C2	H2D-C2-10t-5J
20 t	C2	H2D-C2-20t-10J

Specification

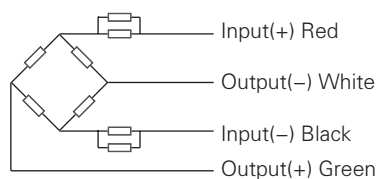
Accuracy class		C2
Output sensitivity (= FS)	mV/V	2.0 ± 0.008
Maximum capacity (E _{max})	t	5, 10, 20
Maximum number of load cell intervals (nLC)		2000
Ratio of minimum LC verification interval $Y = E_{max} / v_{min}$		5000
Combined error	%FS	± 0.03
Safe overload	of E _{max}	150
Ultimate overload	of E _{max}	300
Zero balance	%FS	± 1.0
Excitation, recommended voltage	V	5 ~ 12(DC)
Excitation maximum	V	18(DC)
Input resistance	Ω	750 ± 10
Output resistance	Ω	700 ± 7
Insulation resistance	MΩ	≥ 5000 (50VDC)
Compensated temperature	°C	-10 ~ +40
Operating temperature	°C	-35 ~ +65
Element material		Nickel plated alloy steel
Ingress protection (according to EN 60529)		IP67

Dimensions in mm



Capacity(t)	Dimension (mm)	L	D	D1	M	H
5		83 (3.27)	128 (5.04)	45 (1.77)	M24 × 2	8 (0.31)
10		150 (5.91)	160 (6.03)	60 (2.36)	M39 × 2	30 (1.18)
20		220 (8.66)	200 (7.87)	80 (3.15)	M60 × 2	60 (2.36)

Wiring



- Shielded, 4 conductor cable: Φ5mm
- Standard cable length: 5m(5t,10t), 10m(20t)
- Cable type and cable length for customer's own application are available on request.
- Shield not connected to element.