

HM14C



- Nickel plated alloy steel IP68 column shear load cell
- Hermetically sealed
- Suitable for truck, track, hopper and other electronic weighing devices
- High accuracy
- Protected against lightning surges
- Current calibrated (sc option)

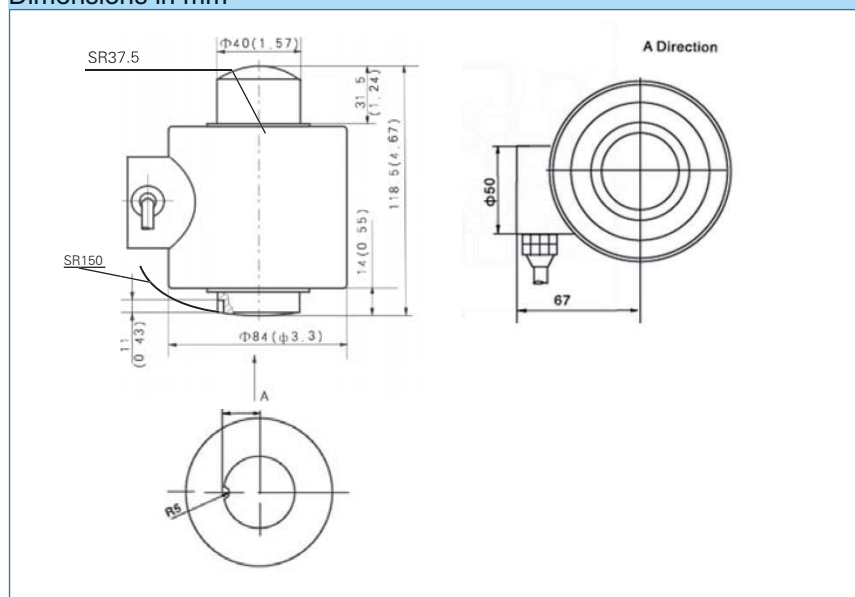
Available models

Capacity	Accuracy	Full article description
10t	C3	HM14C-C3-10t-13B6
20t	C3	HM14C-C3-20t-13B6
25t	C3	HM14C-C3-25t-13B6
30t	C3	HM14C-C3-30t-13B6
50t	C3	HM14C-C3-50t-13B6

Specification

Accuracy class		C3
Output sensitivity (= FS)	mV/V	1.5 ± 0.004
Maximum capacity (E _{max})	t	10, 20, 25, 30, 50
Maximum number of load cell intervals (nLC)		3000
Ratio of minimum LC verification interval Y = E _{max} / v _{min}		7500
Combined error	%FS	± 0.023
Minimum dead load	t	0
Safe overload	of E _{max}	150 %
Ultimate overload	of E _{max}	300 %
Zero balance	%FS	± 1.0
Excitation, recommended voltage	V	5 ~ 12(DC)
Excitation maximum	V	18(DC)
Input resistance	Ω	700 ± 7
Output resistance	Ω	703 ± 4
Insulation resistance	MΩ	≥ 5000 (50VDC)
Compensated temperature	°C	-10 ~ +40
Operating temperature	°C	-35 ~ +65
Storage temperature	°C	-40 ~ +70
Element material		Nickel plated alloy steel
Ingress protection (according to EN 60529)		IP68
ATEX classification (optional)		II1G Ex ia IIC T4 II1D Ex iaD 20 T73°C II3G Ex nL IIC T4

Dimensions in mm



Wiring

